

### Product Specifications

#### Panel Characteristics

Front Panel Steel Plate Cold Rolled Commercial, 1.5mm thickness with Black Color (RAL 9005) painted

Support Bar Steel Plate Cold Rolled Commercial, 1.5mm thickness with Black Color (RAL 9005) painted

Rear Panel Steel Plate Cold Rolled Commercial, 1.5mm thickness with 5 to 8um Nickel painted

Ground Cable 18AWG wire, with Green/Yellow striped color, length 40cm

Panel Color Black Color Varnish Painted (RAL 9005)

Effective U Space 1U - 24PORT

Mounting Type Rack Mounted

Insertion Force 30N max (IEC 60603-7-5)

Retention Strength 7.7 Kgs between Jack and Plug

Operating Temperature -10°C to 60°C (ISO/IEC 11801, ANSI/TIA/EIA-568-C.2)

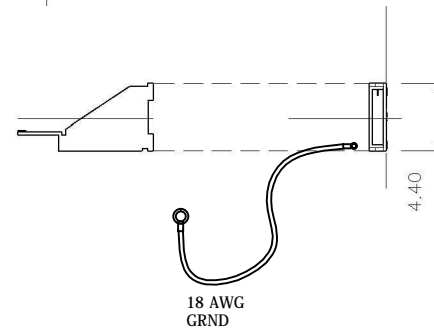
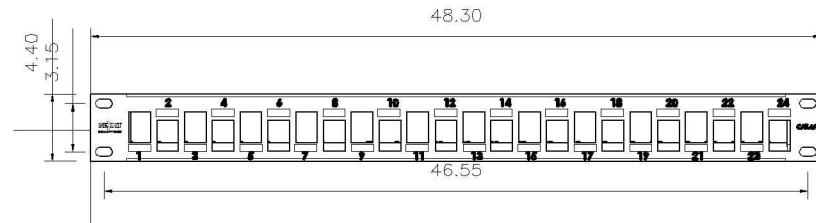
#### Dimensions


Height (in/mm) 1,75in / 44,4mm - 24PORT

External Width (in/mm) 19,22in / 488,2mm

Depth (in/mm) 3,66in / 93mm

Includes 4 M5 x L12mm screw set



DATE: JUN 2014 DRAWING: ZARRAGA			
DES :		Modular Patch Panel Cat6A 24P for SFTP Keys Jack	
SHEET	1 OF 1	SCALE	1 : 2