

# MORPHEUS

Modular High Airflow ATX Max Case

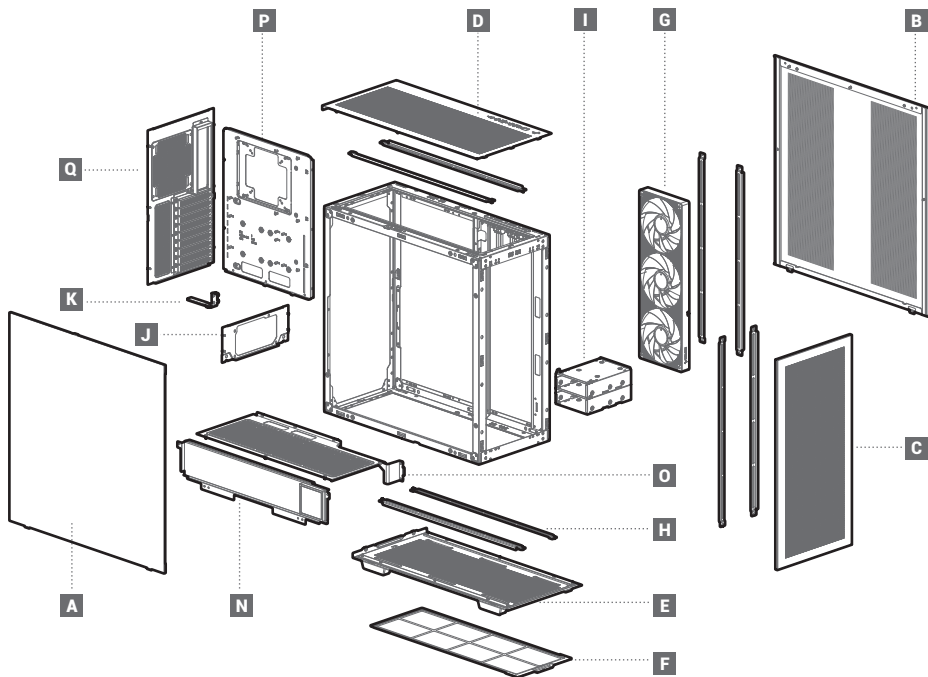


DEEPCOOL 



|  |    |
|--|----|
| <b>Case Features</b> .....                       | 1  |
| <b>Accessory Kit Contents</b> .....              | 5  |
| <b>Specifications</b> .....                      | 6  |
| REAR .....                                       | 7  |
| FRONT .....                                      | 8  |
| TOP .....  | 9  |
| BOTTOM .....                                     | 10 |
| SIDE .....                                       | 11 |
| PSU Shroud .....                                 | 12 |
| <b>Installation Steps</b>                        |    |
| Removing the Mesh Side Panel .....               | 13 |
| Removing the Top Panel .....                     | 15 |
| Removing the Tempered Glass Side Panel .....     | 18 |
| Removing the Bottom Panel .....                  | 21 |
| Removing the Front Panel .....                   | 23 |
| Installing the Motherboard .....                 | 24 |
| Installing the GPU .....                         | 25 |
| Installing HDDs .....                            | 26 |
| Installing SSDs .....                            | 28 |
| Installing the Power Supply .....                | 30 |
| <b>Installing Fan Brackets</b> .....             | 32 |
| SIDE .....                                       | 33 |
| TOP .....  | 35 |
| BOTTOM .....                                     | 37 |
| FRONT .....                                      | 39 |
| <b>PSU in Front Mode</b> .....                   | 41 |
| Removing the PSU Shroud .....                    | 42 |
| Removing the PSU Rubber Stand and HDD Cage ..... | 49 |
| <b>Dual Chamber Mode</b> .....                   | 62 |
| Installation for Dual Chamber Mode .....         | 63 |
| Vertical installation of Graphics Card .....     | 68 |
| Installing HDDs .....                            | 72 |
| Installing the Power Supply .....                | 74 |
| <b>I/O Panel Introduction</b> .....              | 76 |
| <b>Installing the Front I/O Connectors</b> ..... | 77 |
| <b>Manual RGB Wiring</b> .....                   | 78 |
| <b>Motherboard RGB Synchronization</b> .....     | 79 |
| <b>Fan Power Line Wiring</b> .....               | 80 |
| <b>Rubber Square Bits Usage Method</b> .....     | 81 |

## Case Features



### Case Specifications

Length: 528mm  
Width: 250mm  
Height: 551mm

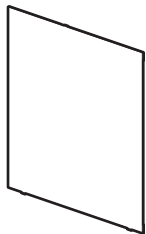
Maximum GPU length: 480mm  
Maximum PSU length: 180mm  
Maximum CPU cooler height: 195mm/132mm

### Radiator compatibility:

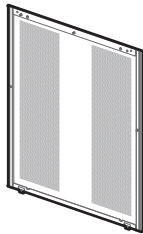
Front: 120/140/240/280/360/420mm  
Top: 120/140/240/280/360/420mm  
Side: 120/140/240/280/360/420mm  
Bottom: 120/140/240/280/360/420mm  
Rear: 1×120 / 1×140mm

### Fan locations:

Front: 3×120 / 3×140 / 2×180 / 2×200mm  
Top: 3×120 / 3×140 / 2×180 / 2×200mm  
Side: 3×120 / 3×140mm  
Bottom: 3×120 / 3×140 / 2×180 / 2×200mm  
PSU Shrouded: 3×120 / 3×140mm  
Rear: 1×120 / 1×140mm

**A**

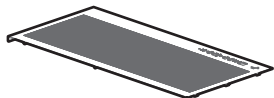
Tempered Glass Side Panel

**×1****B**

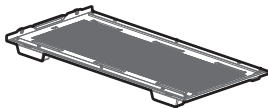
Right Side Panel

**×1****C**

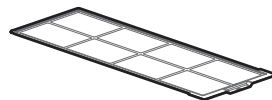
Front Panel

**×1****D**

Top Panel

**×1****E**

Bottom Panel

**×1****F**

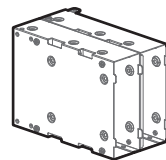
Bottom Dust Filter

**×1****G**

Trinity (3x140) ARGB FAN

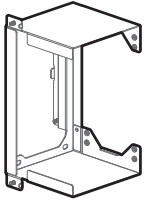
**×1****H**

FAN Bracket

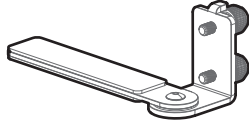
**×8****I**

HDD cage

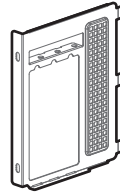
**×1**

**J**

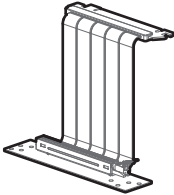
PSU cage

**×1****K**

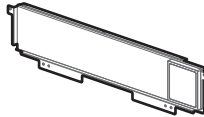
GPU Bracket

**×1****L**

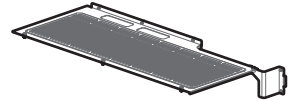
GPU vertical installation kit

**×1****M**

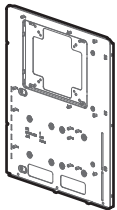
PCIe 4.0 Riser Cable

**×1****N**

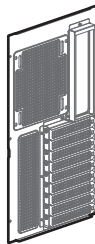
PSU Shroud With Status Display

**×1****O**

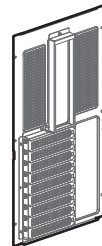
PSU Top Shroud

**×1****P**

Motherboard Chassis

**×1****Q**

Single Chamber Rear Panel

**×1****R**

Dual Chamber Rear Panel

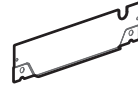
**×1**

**S**

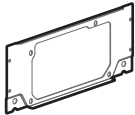
Dual Chamber Mounting Kit

**×1****T**

Dual Chamber Rear Panel Kit (a)

**×1****U**

Dual Chamber Rear Panel Kit (b)

**×1****V**

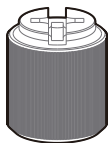
Single Chamber Rear Panel Kit

**×1****W**

Rubber Square Bits

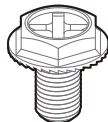
**×1Bag**

## Accessory Kit Contents



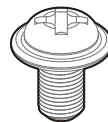
Sleeve screw

**x1**



PSU screws

**x6**



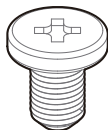
Motherboard screws

**x18**



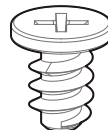
SSD screws

**x8**



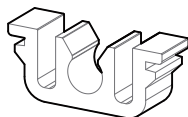
HDD screws

**x9**



Fan screws

**x12**



Plastic Card Hook Seat

**x2**



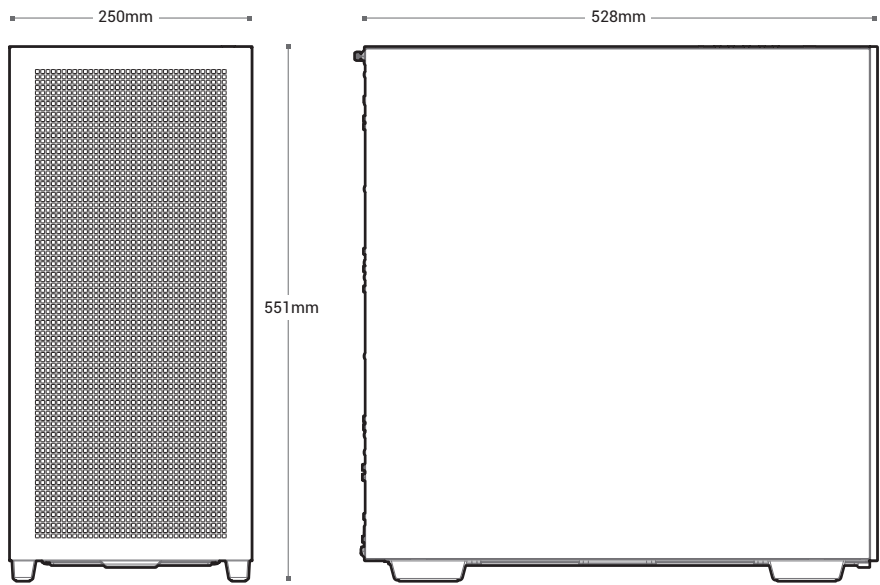
Cable ties

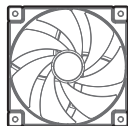
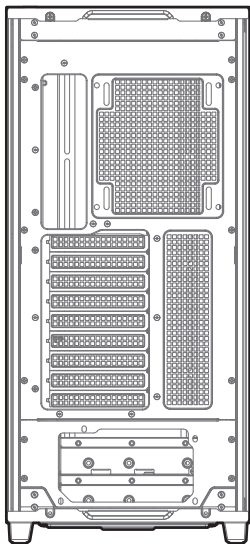
**x11**



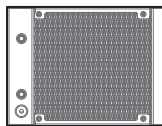
# Specifications

---

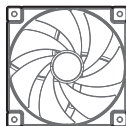
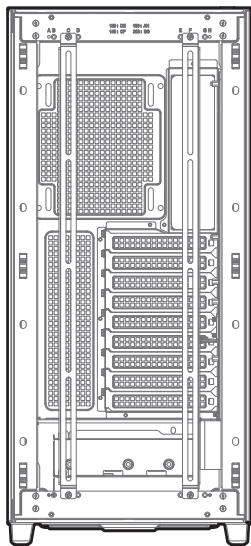




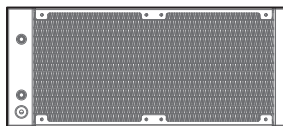
120mm×1  
140mm×1



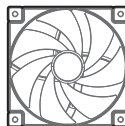
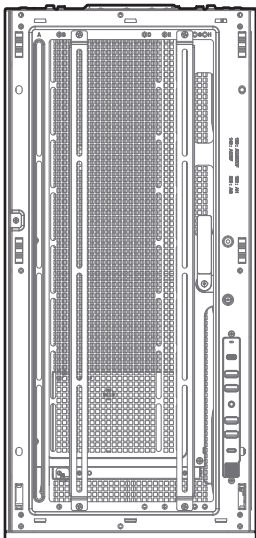
120/140mm



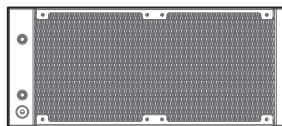
120mm×3  
140mm×3  
180mm×2  
200mm×2



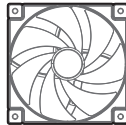
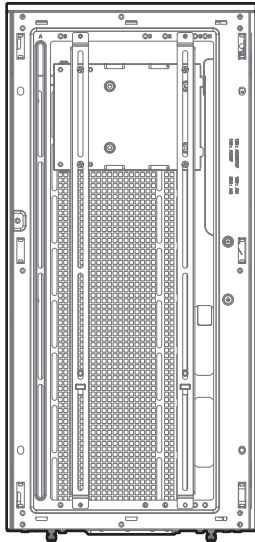
120/140/240/280/360/420mm



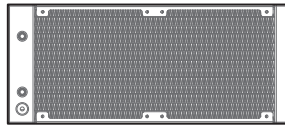
120mm×3  
140mm×3  
180mm×2  
200mm×2



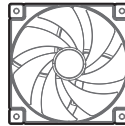
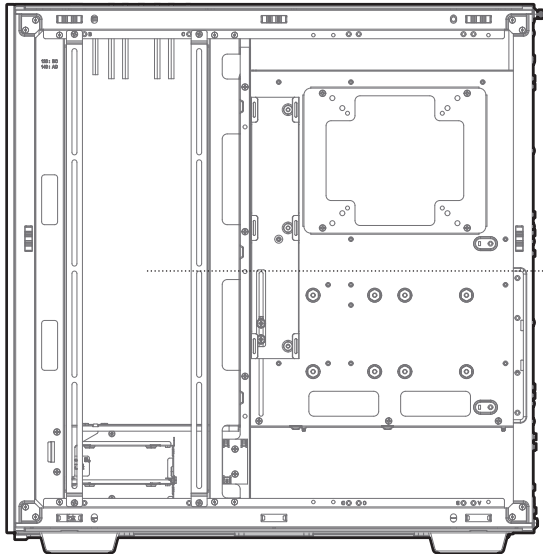
120/140/240/280/360/420mm



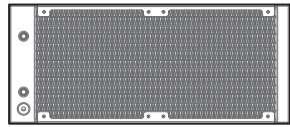
120mm×3  
140mm×3  
180mm×2  
200mm×2



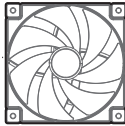
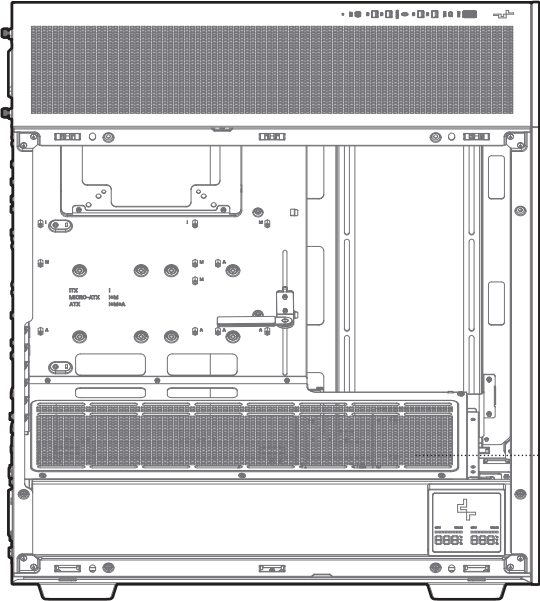
120/140/240/280/360/420mm



120mm×3  
140mm×3

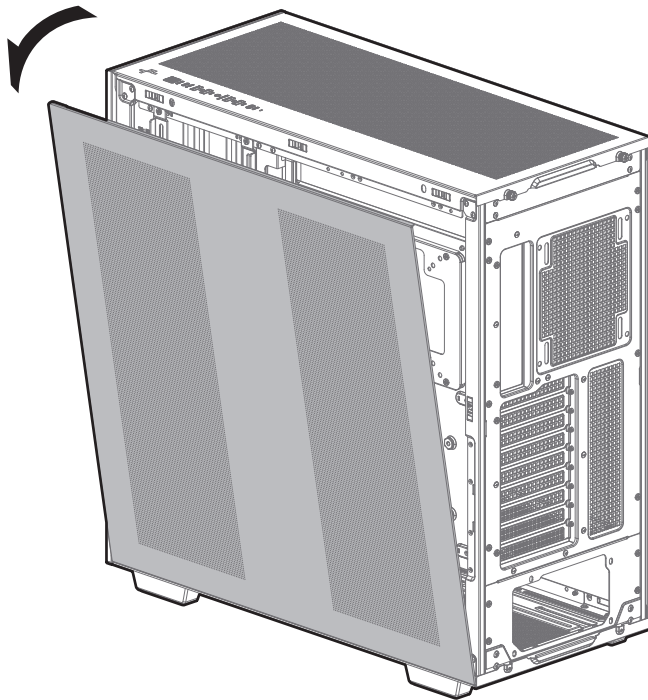


120/140/240/280/360/420mm

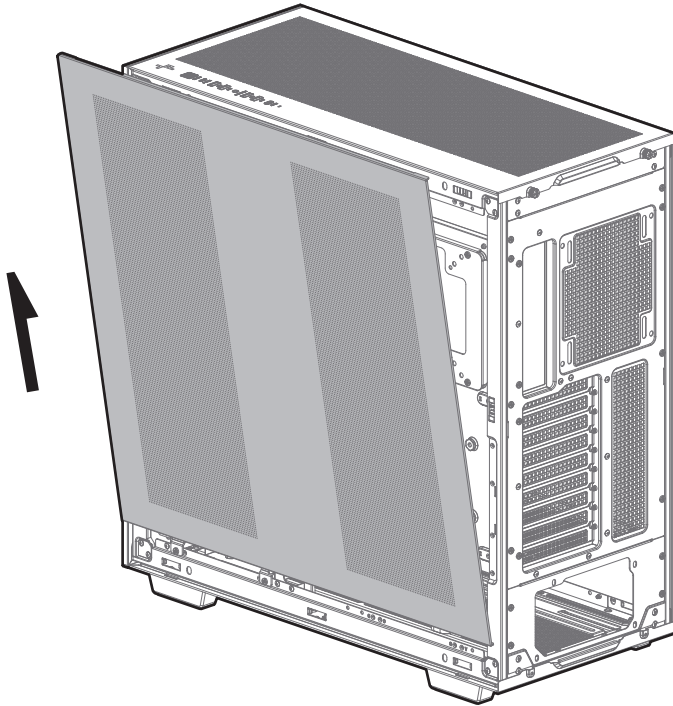


120mm×3  
140mm×3

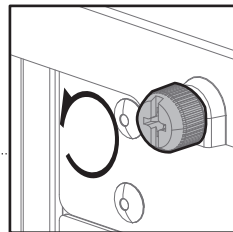
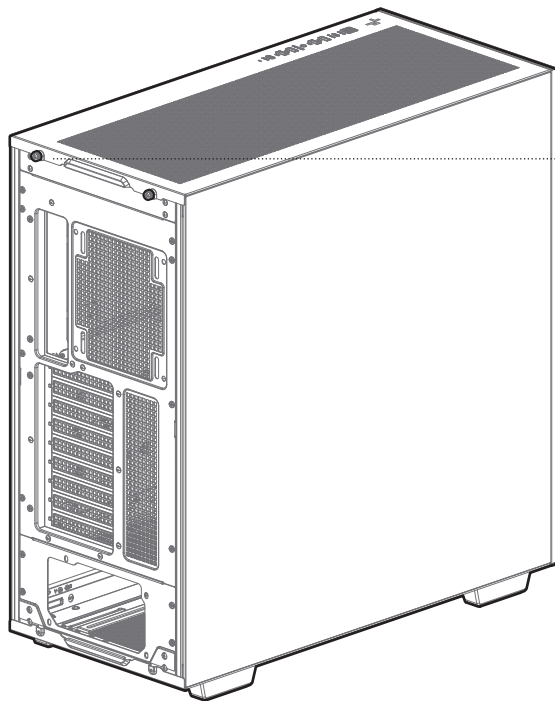
## Removing the Mesh Side Panel

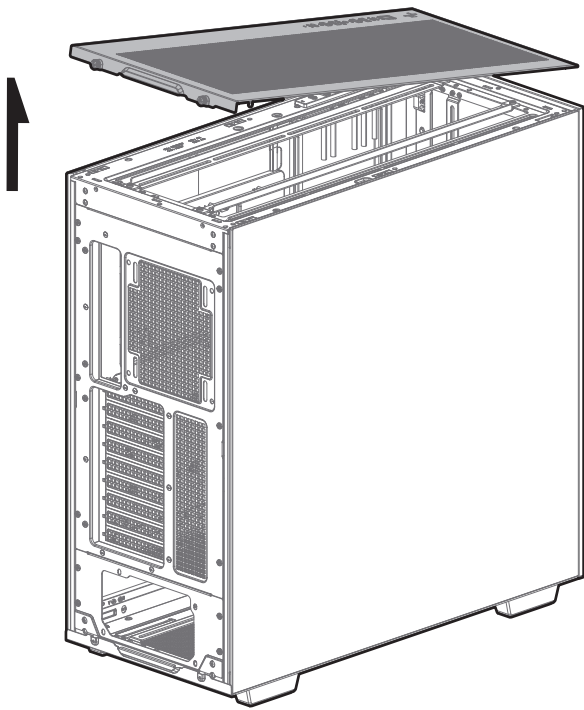


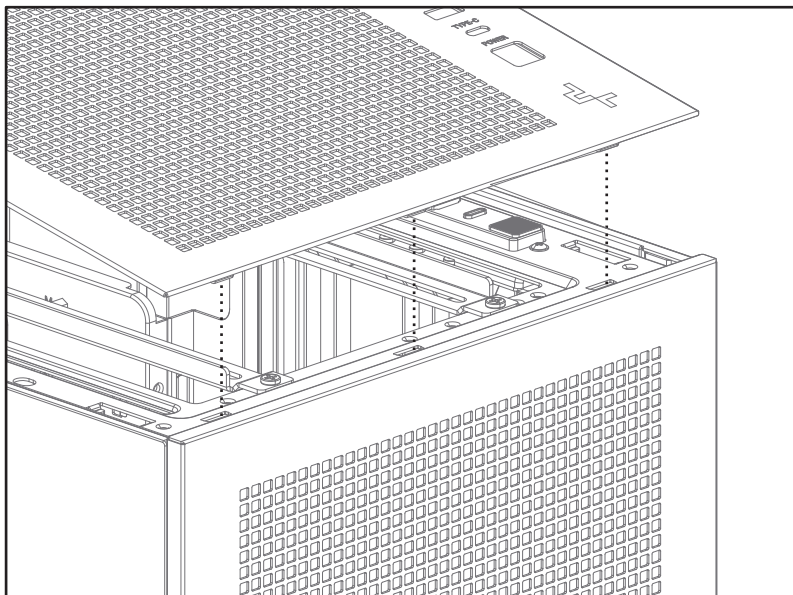




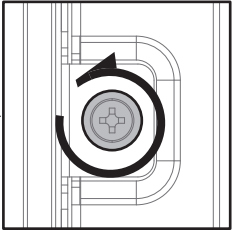
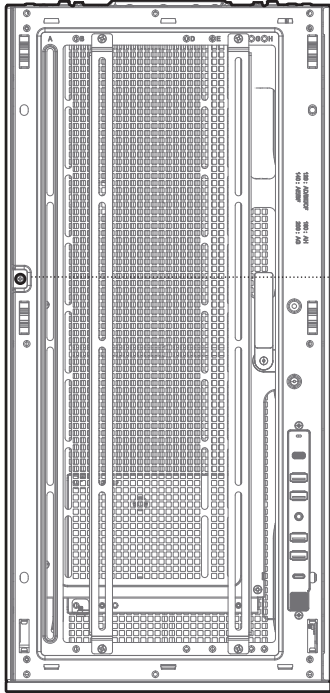
## Removing the Top Panel

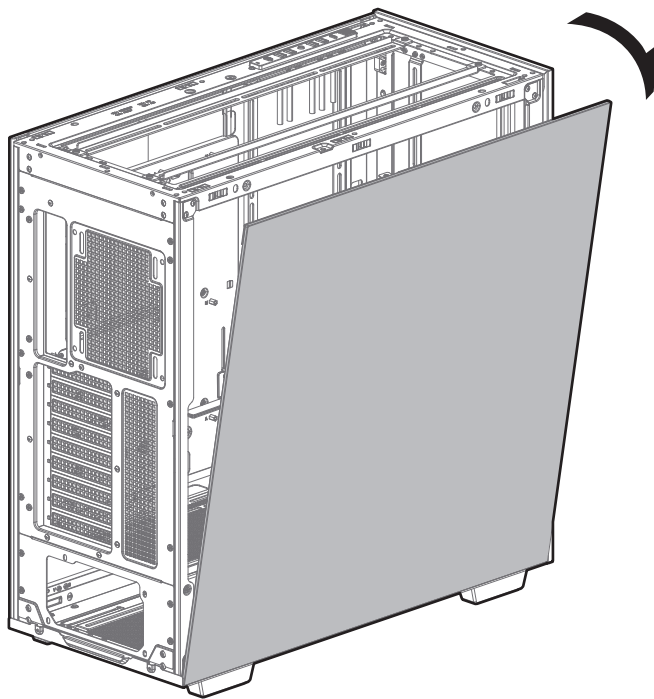


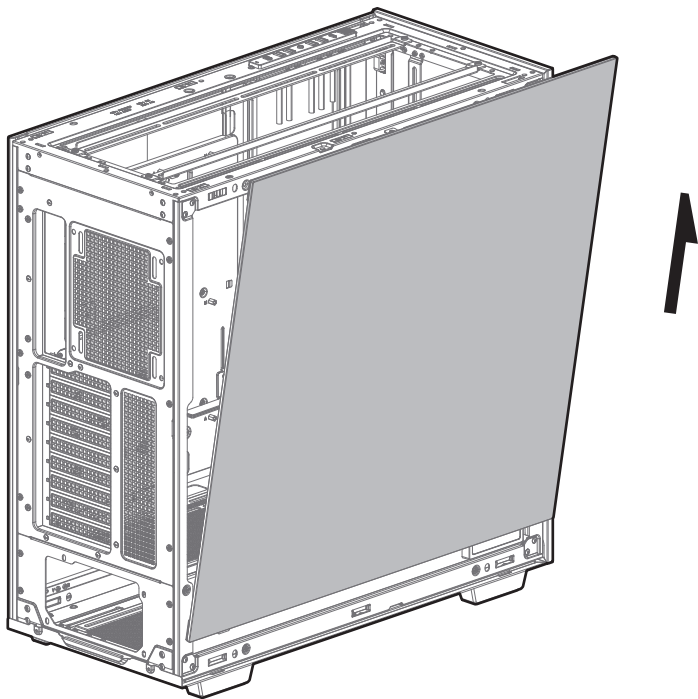




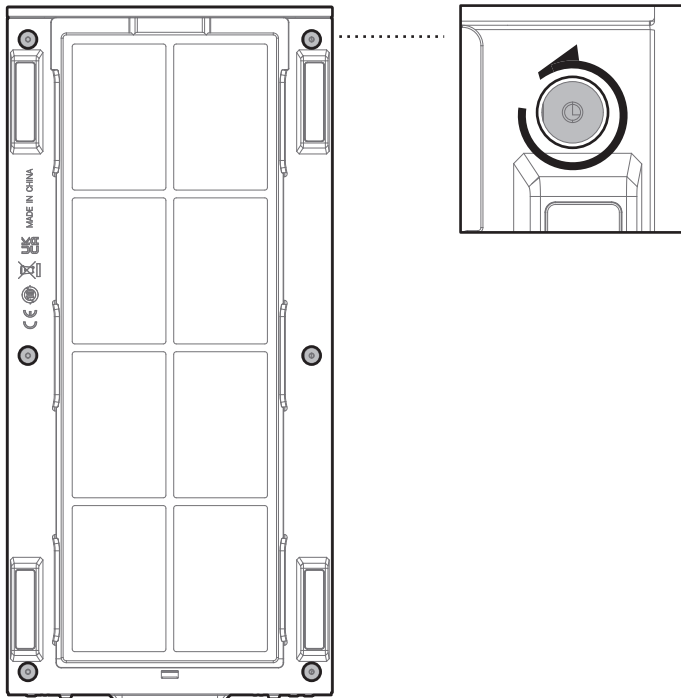
# Removing the Tempered Glass Side Panel



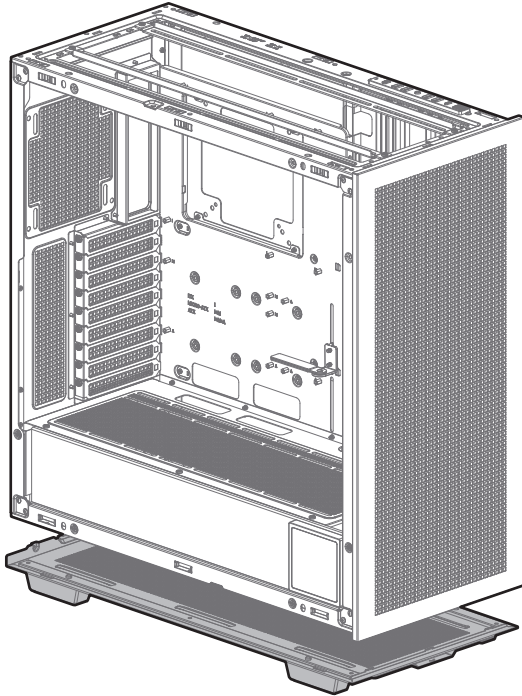




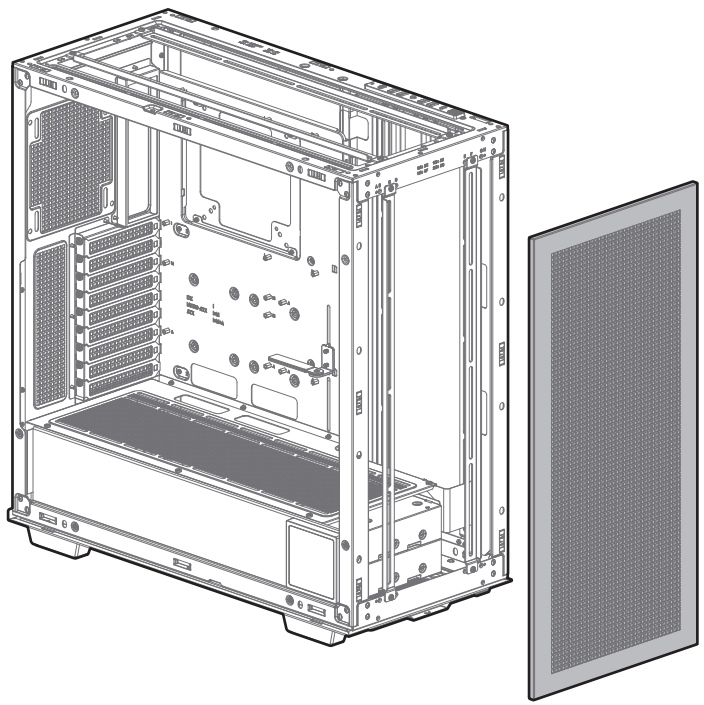
## Removing the Bottom Panel



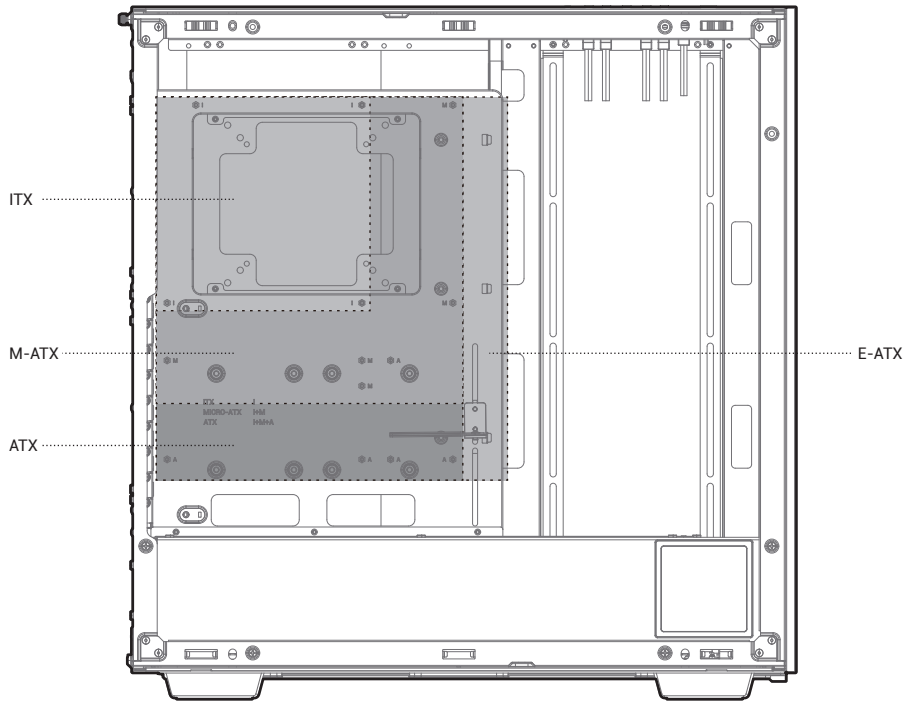




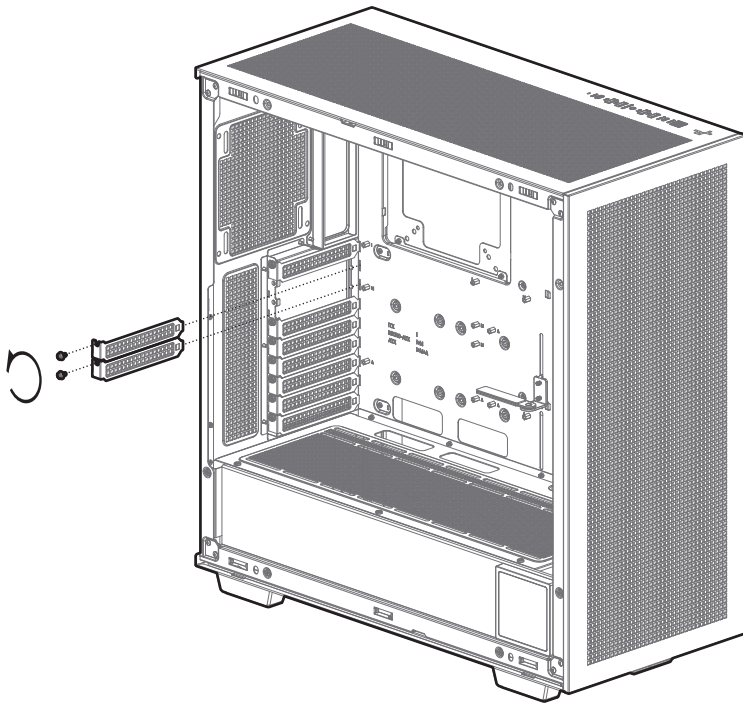
## Removing the Front Panel



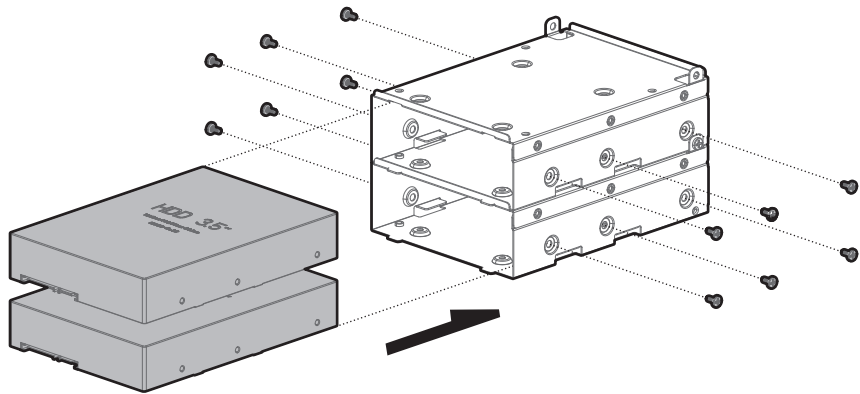
# Installing the Motherboard

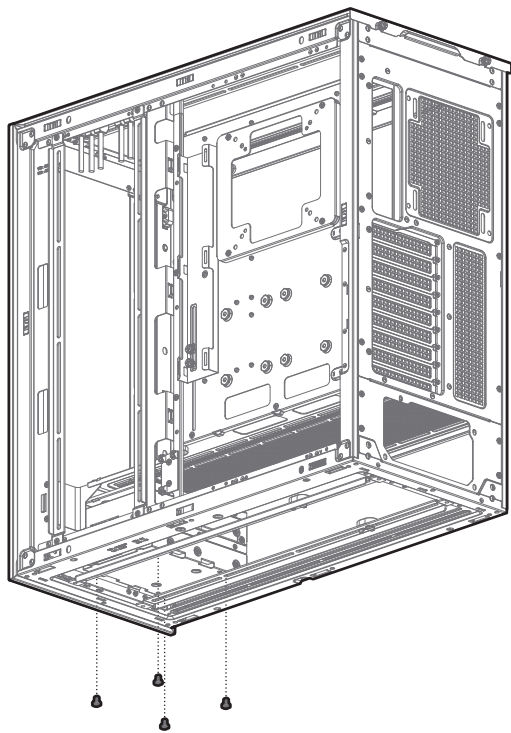


## Installing the GPU

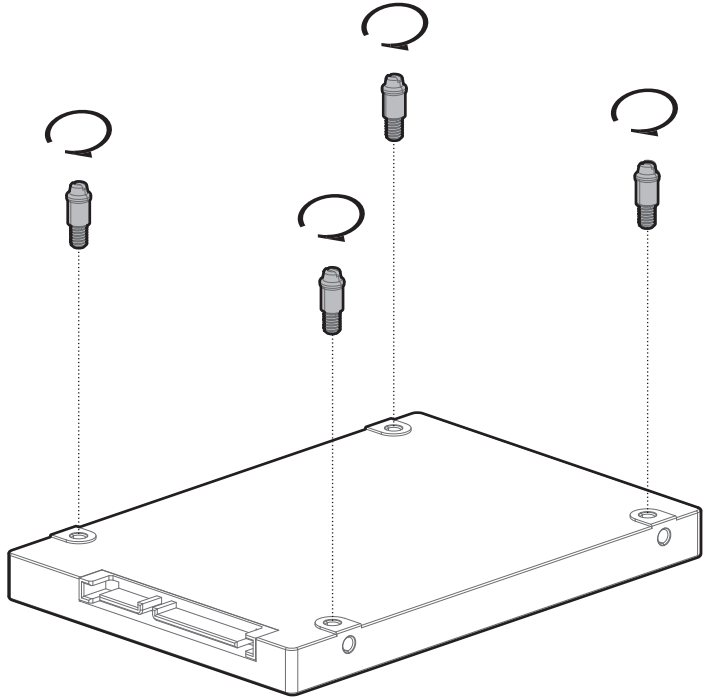


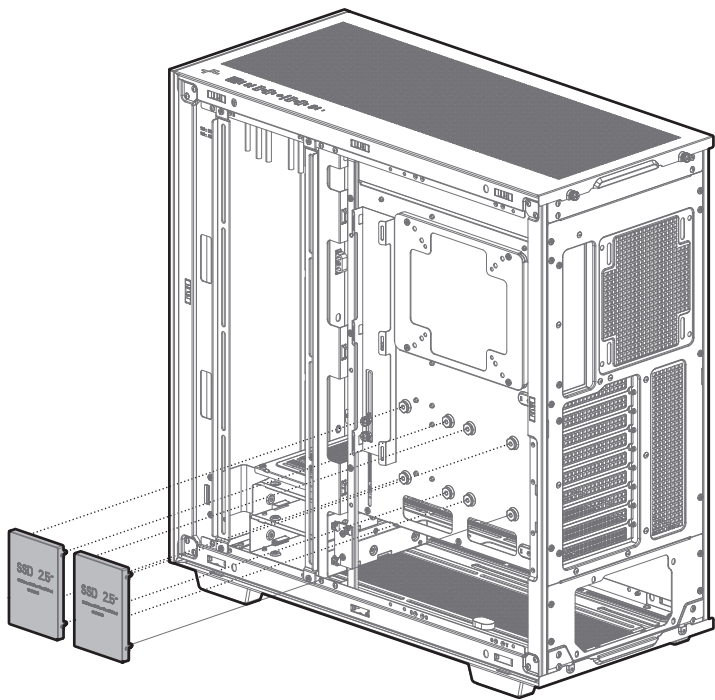
# Installing HDDs





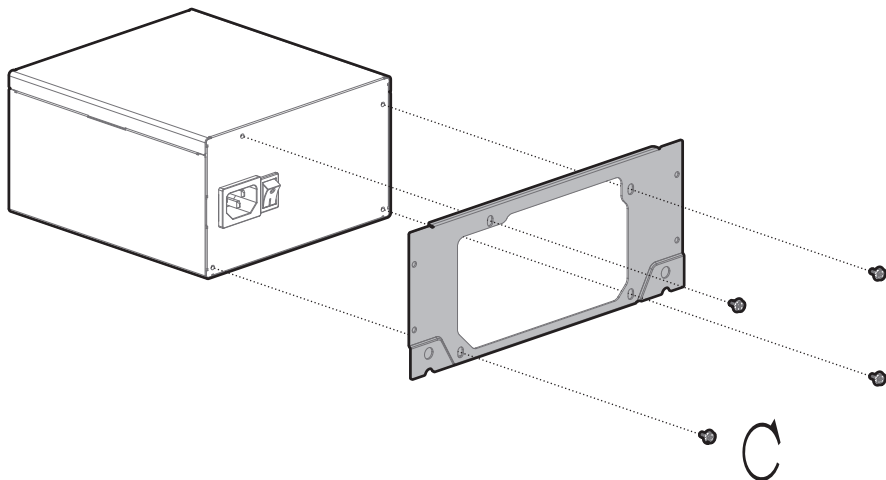
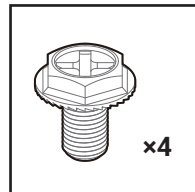
# Installing SSDs

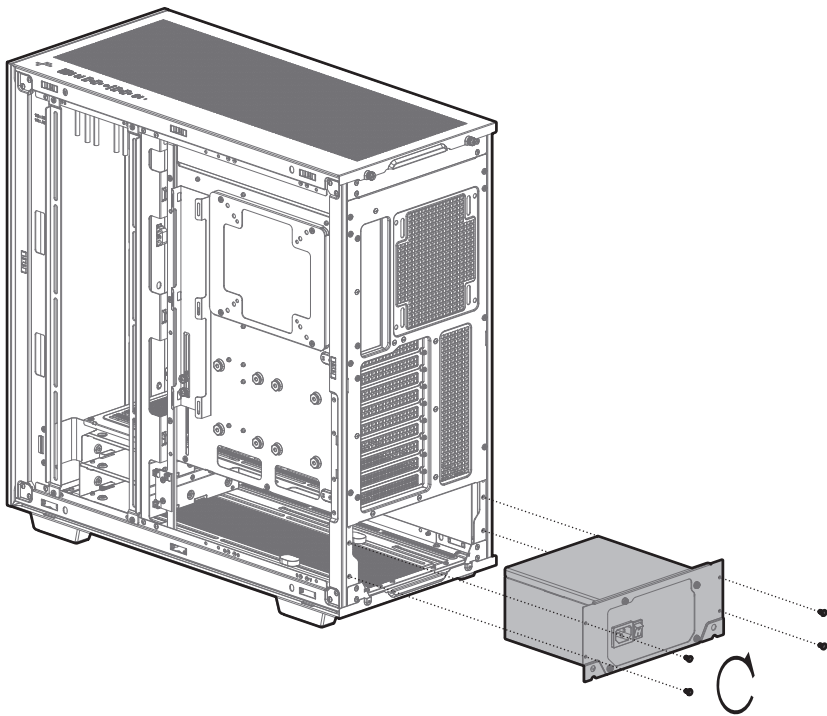




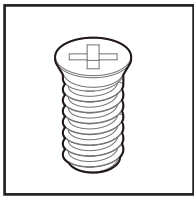
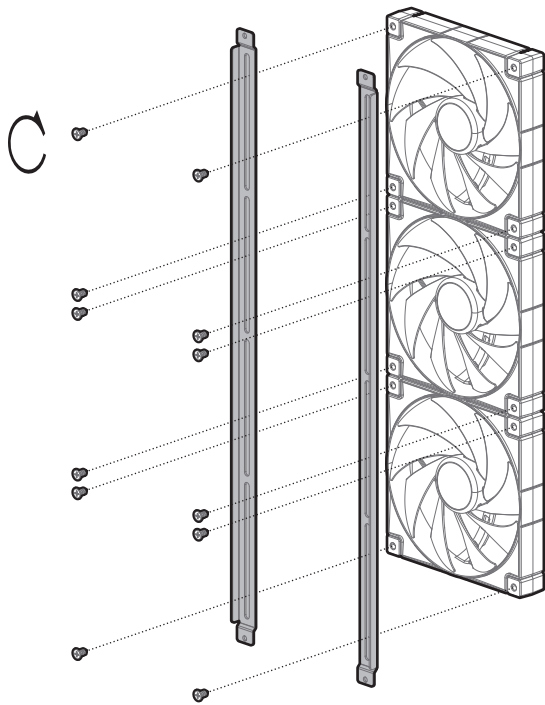


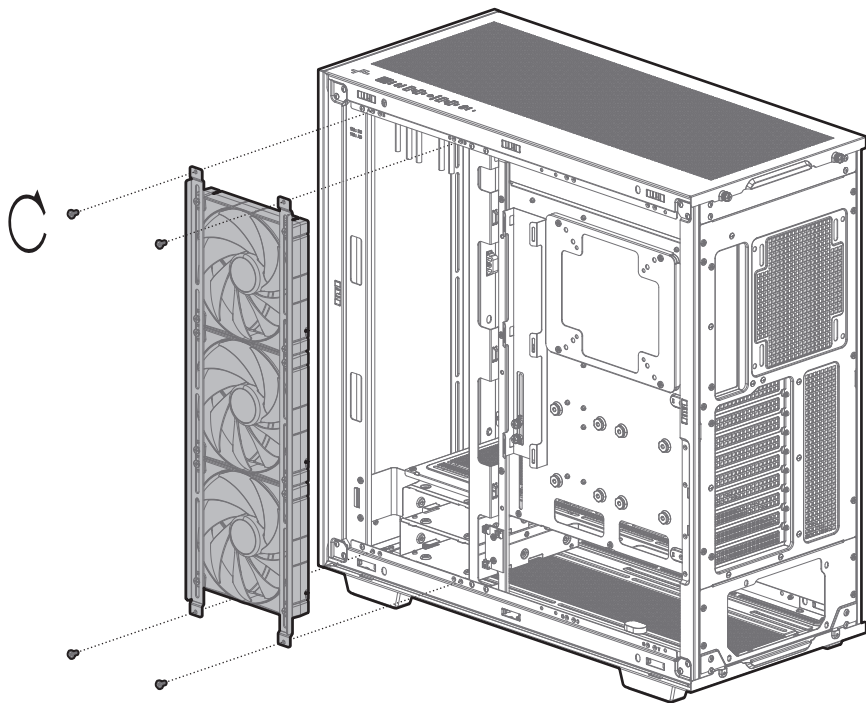
# Installing the Power Supply

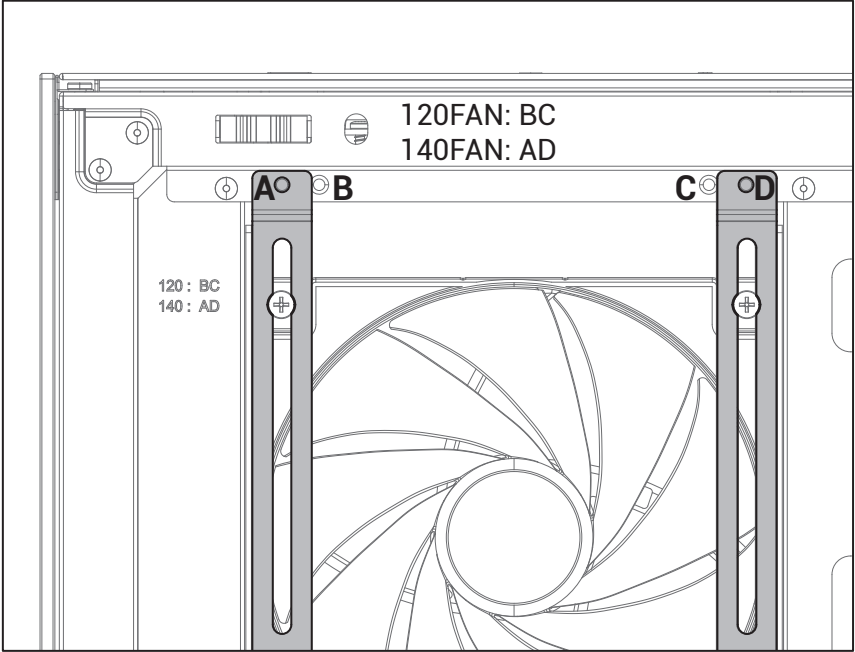


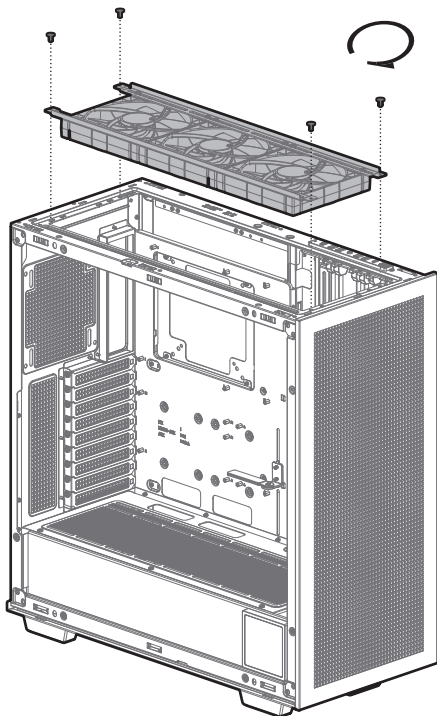


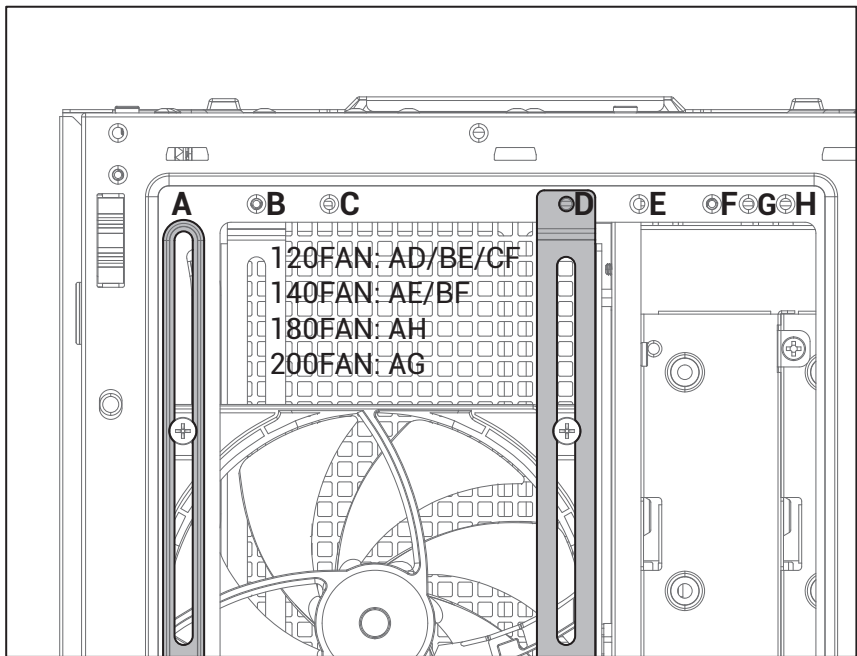
# Installing Fan Brackets



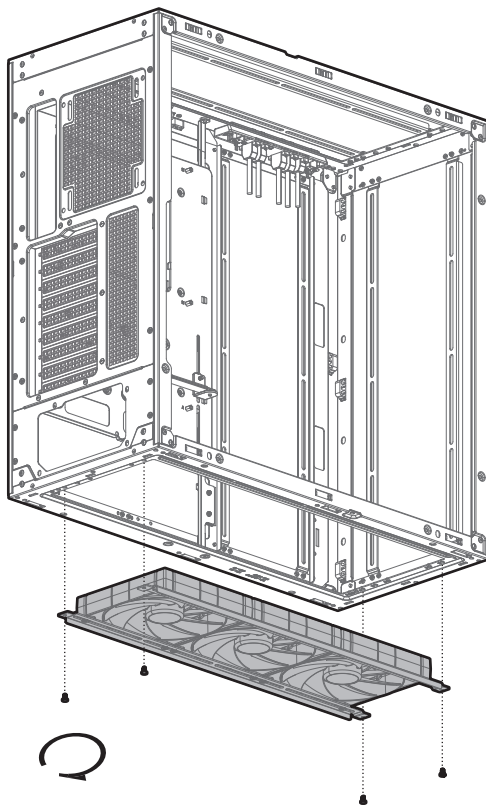




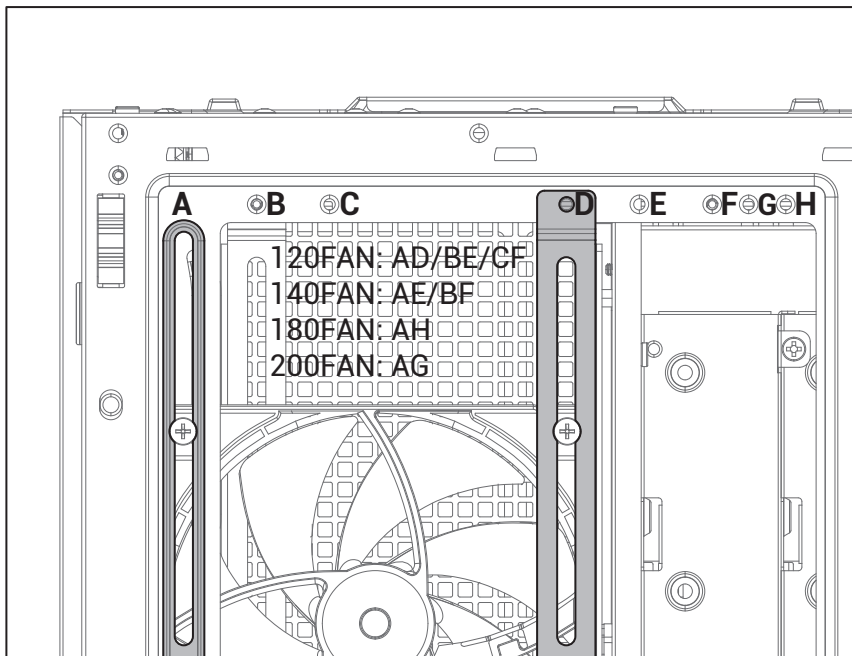




# BOTTOM







# FRONT

